



**NEW  
IPT  
REDESIGN**

## Engine Driven Portable High Pressure Pumps

**Cast Aluminum Self-Priming Engine Driven Pumps Provides Home Fire Protection with Optional Hose Kit**

- Available with Honda, Briggs & Stratton Gasoline, or Yanmar Diesel Engine
- Discharge Port Rotates in 90° Increments
- 2" Suction and Discharge Port Sizes
- Cast Aluminum
- Max. Flow: 130 GPM
- Max. Head: 108 PSI
- Max. Lift: 26 ft.
- EPDM Seals
- One Tool Serviceability
- Use for Fire Protection or Irrigation
- Optional High Pressure Hose Kit
- Optional Viton® Seal & Elastomers
- Optional Wheel Kit



**Model 2P5XHR**

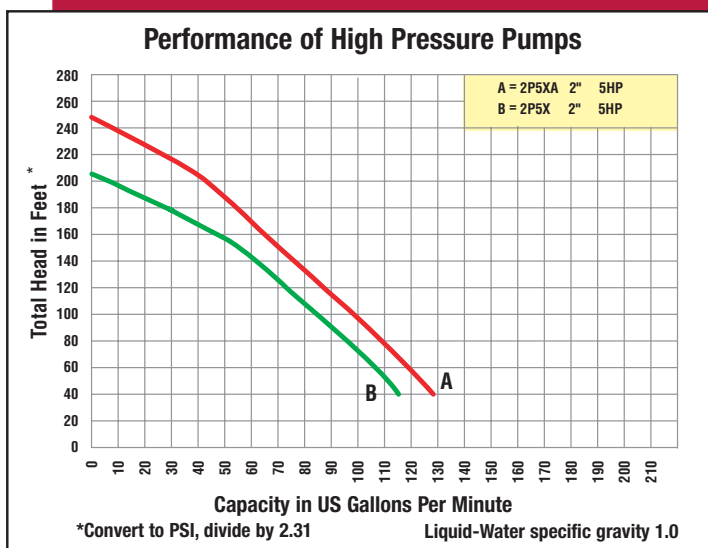


**High Pressure Hose Kit 55-338**

Use for fire protection or irrigation. Available with a wide choice of standard and heavy-duty gasoline and diesel fueled engines. Unit is standard with die-cast aluminum housing and cast-iron impeller. All models standard with EPDM elastomers and seals. Many models are readily available "Off-the Shelf" for fast 24 hour shipment. For use with non-flammable liquids which are compatible with pump component materials.

\*Viton® and Teflon® are registered trademarks of DuPont

## COMMERCIAL DUTY



# Portable High Pressure Pumps

## 2" General Purpose-High Pressure Pumps

Alum. Model #	Alum. Ship Wt. (lbs.)	Curve	Driver	Seal Type & Elastomer/Faces	Tank Size (Qts.)	Run Time	Mounting
2P5XA	68	A	B&S CP650	EPDM/CAR/CER	3	120	Handle
2P5XAR	90	A	B&S CP650	EPDM/CAR/CER	3	120	Roll Cage
2P5XHR	86	B	Honda GX160	EPDM/CAR/CER	3.88	100	Roll Cage
2P5XYR	107	B	Yanmar Diesel L48	EPDM/CAR/CER	2.6	110	Roll Cage

## 5/8 Threaded Kit (Single)

Alum. Model #	Alum. Ship Wt. (lbs.)	Seal Type & Elastomer /Faces	Mounting
2P5X	35	EPDM/CAR/CER	Handle

## 2" High Pressure Hose Kit

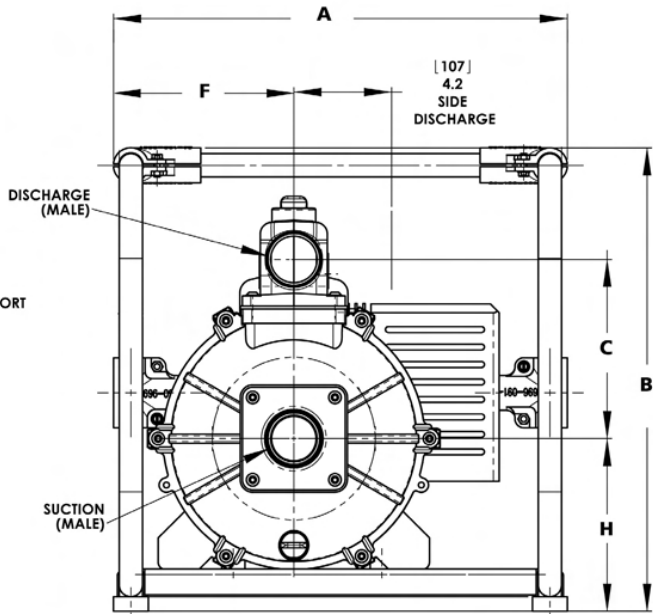
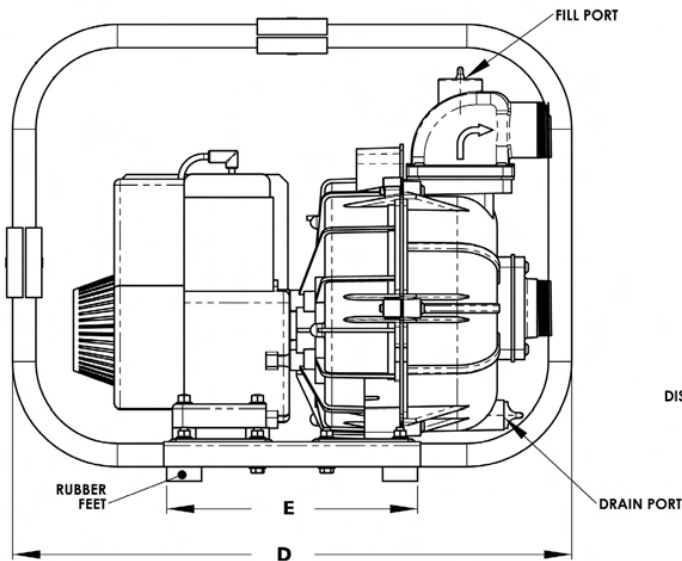
Model #	Ship Wt. (lbs.)
55-338 (100 ft.)	38

\*Viton® and Teflon® are registered trademarks of DuPont

## Standard Features

- Aluminum Closed Impeller and Cast Iron Volutes- Die Cast Aluminum Pump
- Large Pump Casing
- Built-In Check Valve
- Removable/Replaceable Cast Iron Suction/Discharge Flanges
- Rotatable Discharge Port in 90° Increments
- EPDM Seal with Carbon and Ceramic Faces
- One Tool Serviceability, Tool Included with Engine Driven Models
- Choice of Briggs & Stratton, Honda Gasoline or Yanmar Diesel Engines
- Optional Wheel Kit
- Optional Viton® Seals and Elastomers
- Strainer Supplied
- Rubber Foot Mounting
- Maximum Temperature 180°F
- Pedestal Versions Available

WARNING: Do not use in explosive atmosphere or for pumping volatile flammable liquids.



GAS ENGINE DRIVEN PUMPS	
MODEL - GAS	"H"
2P5X?R	7.4 [188]

DIESEL ENGINE DRIVEN PUMPS	
MODEL - DIESEL	"H"
2P5X?R	7.9 [200]

DIMENSIONS:  
INCHES  
[MILLIMETERS]

MODEL	A	B	C	D	E	F	DISCH*	SUCT*
2P5X	19.50 [495]	19.90 [505]	7.7 [195]	24 [610]	10.8 [274]	7.5 [190]	* 2.00	* 2.00

(\*) STANDARD NPT (MALE) PIPE THREAD.

HIGH PRESSURE PUMP



See price book page 8

The Gorman-Rupp Company reserves the right to discontinue any model or change specifications at any time without incurring any obligation.

CP23-24 / 1208